

IMPORTANT:
Read Before Using

IMPORTANT :
Lire avant usage

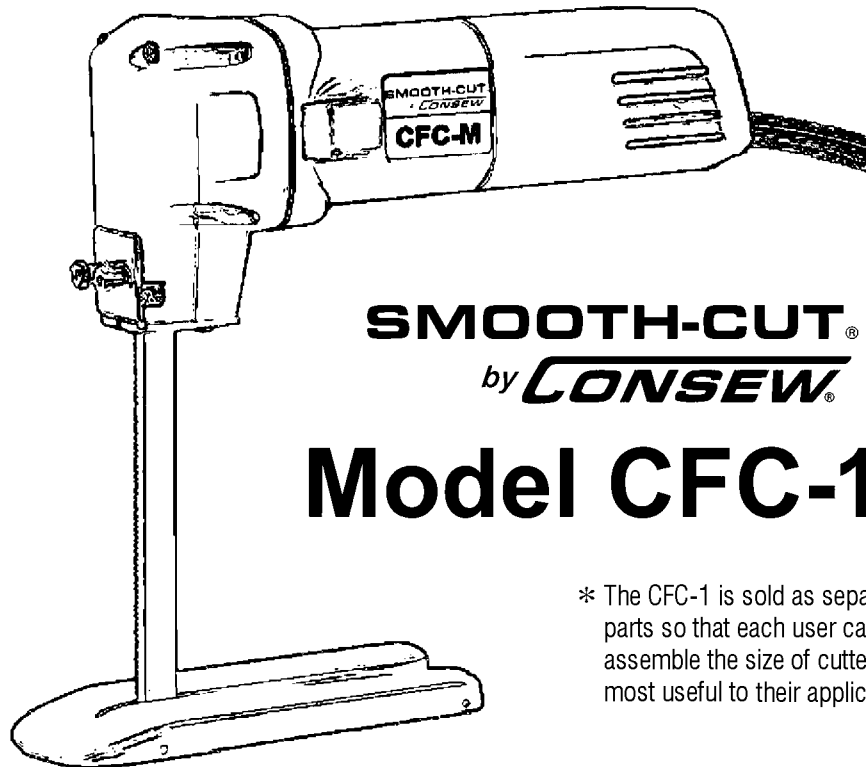
IMPORTANTE:
Leer antes de usar



Operating/Safety Instructions

Consignes de fonctionnement/sécurité

Instrucciones de funcionamiento y seguridad



SMOOTH-CUT®
by **CONSEW®**

Model CFC-1*

* The CFC-1 is sold as separate parts so that each user can assemble the size of cutter most useful to their application.

Foam and Rubber Cutter motor and accessories

**Call Toll Free for
Consumer Information
& Service Locations**
1 800 221 8494
www.consew.com

**Pour obtenir des informations
et les adresses de nos centres
de service après-vente,
appelez ce numéro gratuit**

**Llame gratis para
obtener información
para el consumidor y
ubicaciones de servicio**

**For English Version
See page 2**

**Version française
Voir page 11**

**Versión en español
Ver la página 20**

General Power Tool Safety Warnings



WARNING Read all safety warnings and all instructions. Failure to follow the warnings and instructions may result in electric shock, fire and/or serious injury.

SAVE ALL WARNINGS AND INSTRUCTIONS FOR FUTURE REFERENCE

The term “power tool” in the warnings refers to your mains-operated (corded) power tool or battery-operated (cordless) power tool.

Work area safety

Keep work area clean and well lit. Cluttered or dark areas invite accidents.

Do not operate power tools in explosive atmospheres, such as in the presence of flammable liquids, gases or dust. Power tools create sparks which may ignite the dust or fumes.

Keep children and bystanders away while operating a power tool. Distractions can cause you to lose control.

Electrical safety

Power tool plugs must match the outlet. Never modify the plug in any way. Do not use any adapter plugs with earthed (grounded) power tools. Unmodified plugs and matching outlets will reduce risk of electric shock.

Avoid body contact with earthed or grounded surfaces such as pipes, radiators, ranges and refrigerators. There is an increased risk of electric shock if your body is earthed or grounded.

Do not expose power tools to rain or wet conditions. Water entering a power tool will increase the risk of electric shock.

Do not abuse the cord. Never use the cord for carrying, pulling or unplugging the power tool. Keep cord away from heat, oil, sharp edges or moving parts. Damaged or entangled cords increase the risk of electric shock.

When operating a power tool outdoors, use an extension cord suitable for outdoor use. Use of a cord suitable for outdoor use reduces the risk of electric shock.

If operating the power tool in damp locations is unavoidable, use a Ground Fault Circuit Interrupter (GFCI) protected supply. Use of an GFCI reduce the risk of electric shock.

Personal safety

Stay alert, watch what you are doing and use common sense when operating a

power tool. Do not use a power tool while you are tired or under the influence of drugs, alcohol or medication. A moment of inattention while operating power tools may result in serious personal injury.

Use personal protective equipment. Always wear eye protection. Protective equipment such as dust mask, non-skid safety shoes, hard hat, or hearing protection used for appropriate conditions will reduce personal injuries.

Prevent unintentional starting. Ensure the switch is in the off-position before connecting to power source and / or battery pack, picking up or carrying the tool. Carrying power tools with your finger on the switch or energizing power tools that have the switch on invites accidents.

Remove any adjusting key or wrench before turning the power tool on. A wrench or a key left attached to a rotating part of the power tool may result in personal injury.

Do not overreach. Keep proper footing and balance at all times. This enables better control of the power tool in unexpected situations.

Dress properly. Do not wear loose clothing or jewelry. Keep your hair, clothing and gloves away from moving parts. Loose clothes, jewelry or long hair can be caught in moving parts.

If devices are provided for the connection of dust extraction and collection facilities, ensure these are connected and properly used. Use of dust collection can reduce dust-related hazards.

Power tool use and care

Do not force the power tool. Use the correct power tool for your application. The correct power tool will do the job better and safer at the rate for which it was designed.

Do not use the power tool if the switch does not turn it on and off. Any power tool that cannot be controlled with the switch is dangerous and must be repaired.

Disconnect the plug from the power source and/or the battery pack from the power tool before making any adjustments, changing accessories, or storing power tools. Such preventive safety measures reduce the risk of starting the power tool accidentally.

Store idle power tools out of the reach of children and do not allow persons unfamiliar with the power tool or these instructions to operate the power tool. Power tools are dangerous in the hands of untrained users.

Maintain power tools. Check for misalignment or binding of moving parts, breakage of parts and any other condition that may affect the power tool's operation. If damaged, have the power tool repaired before use. Many accidents are caused by poorly maintained power tools.

Keep cutting tools sharp and clean. Properly maintained cutting tools with sharp cutting edges are less likely to bind and are easier to control.

Use the power tool, accessories and tool bits etc. in accordance with these instructions, taking into account the working conditions and the work to be performed. Use of the power tool for operations different from those intended could result in a hazardous situation.

Service

Have your power tool serviced by a qualified repair person using only identical replacement parts. This will ensure that the safety of the power tool is maintained.

Safety Rules for Foam Cutters

Hold power tool by insulated gripping surfaces, when performing an operation where the cutting accessory may contact hidden wiring or its own cord. Cutting accessory contacting a "live" wire may make exposed metal parts of the power tool "live" and could give the operator an electric shock.

Always unplug the tool from the power source before changing accessories or making any adjustments. Accidental start up may occur causing serious personal injury.

Use clamps or another practical way to secure and support the workpiece to a stable platform. Holding the work by hand or against your body leaves it unstable and may lead to loss of control.

Always wear proper eye protection and leather gloves.

Before running a foam cutter, inspect the right and left blades for wear.

Replace worn blades immediately.

Never start the foam cutter with the blades in contact with the workpiece.

Do not remove the foam cutter from the workpiece while the blades are moving.

Never put the foam cutter down until the motor and blades have come to a complete standstill.

Never touch the blades during use.

Make sure the material being cut is secured properly.

Additional Safety Warnings

GFCI and personal protection devices like electrician's rubber gloves and footwear will further enhance your personal safety.

Do not use AC only rated tools with a DC power supply. While the tool may appear to work, the electrical components of the AC rated tool are likely to fail and create a hazard to the operator.

Keep handles dry, clean and free from oil and grease. Slippery hands cannot safely control the power tool.

Develop a periodic maintenance schedule for your tool. When cleaning a tool be careful not to disassemble any portion of the tool since internal wires may be misplaced or pinched or safety guard return springs may be improperly mounted. Certain cleaning agents such as gasoline, carbon tetrachloride, ammonia, etc. may damage plastic parts.

Risk of injury to user. The power cord must only be serviced by an Authorized Factory Service Center.





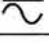






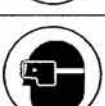
⚠ WARNING Some dust created by power sanding, sawing, grinding, drilling, and other construction activities contains chemicals known to cause cancer, birth defects or other reproductive harm. Some examples of these chemicals are:

- Lead from lead-based paints,
- Crystalline silica from bricks and cement and other masonry products, and
- Arsenic and chromium from chemically-treated lumber.

Your risk from these exposures varies, depending on how often you do this type of work. To reduce your exposure to these chemicals: work in a well ventilated area, and work with approved safety equipment, such as those dust masks that are specially designed to filter out microscopic particles.

Symbols

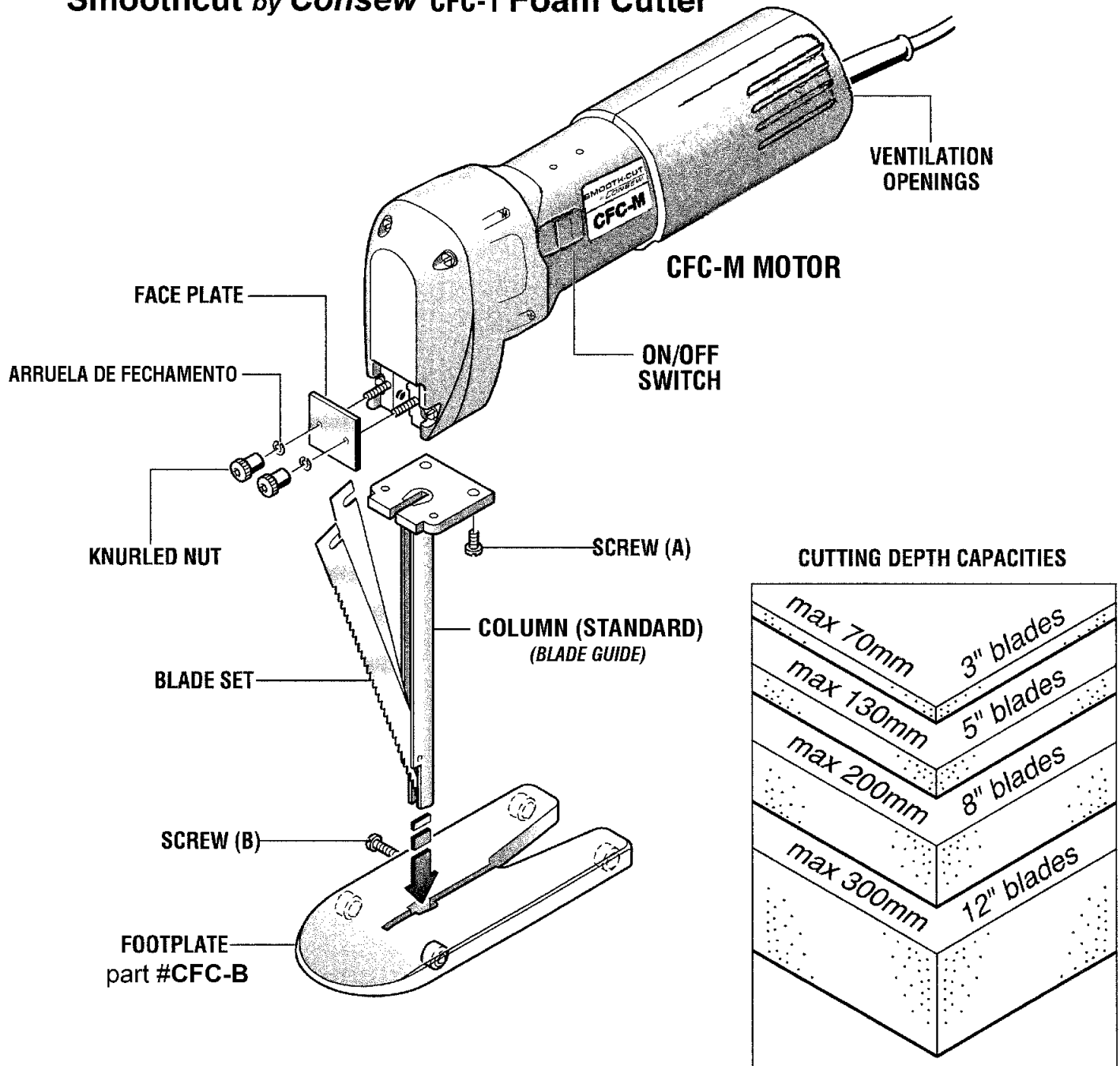
IMPORTANT: Some of the following symbols may be used on your tool. Please study them and learn their meaning. Proper interpretation of these symbols will allow you to operate the tool better and safer.

Symbol	Name	Designation/Explanation
V	Volts	Voltage (potential)
A	Amperes	Current
Hz	Hertz	Frequency (cycles per second)
W	Watt	Power
kg	Kilograms	Weight
min	Minutes	Time
s	Seconds	Time
∅	Diameter	Size of drill bits, grinding wheels, etc.
n_0	No load speed	Rotational speed, at no load
n	Rated speed	Maximum attainable speed
.../min	Revolutions or reciprocation per minute	Revolutions, strokes, surface speed, orbits etc. per minute
0	Off position	Zero speed, zero torque...
1, 2, 3, ... I, II, III,	Selector settings	Speed, torque or position settings. Higher number means greater speed
0 	Infinitely variable selector with off	Speed is increasing from 0 setting
	Arrow	Action in the direction of arrow
	Alternating current	Type or a characteristic of current
	Direct current	Type or a characteristic of current
	Alternating or direct current	Type or a characteristic of current
	Class II construction	Designates Double Insulated Construction tools.
	Earthing terminal	Grounding terminal
	Warning symbol	Alerts user to warning messages
	Li-ion RBRC seal	Designates Li-ion battery recycling program
	Ni-Cad RBRC seal	Designates Ni-Cad battery recycling program
	Read manual symbol	Alerts user to read manual
	Wear eye protection symbol	Alerts user to wear eye protection

Functional Description and Specifications

⚠ WARNING Disconnect the plug from the power source before making any assembly, adjustments or changing accessories. Such preventive safety measures reduce the risk of starting the tool accidentally.

Smoothcut by Consew CFC-1 Foam Cutter



DUAL MOVABLE BLADES. Sold in sets only (2 blades.)

CFC-BL3 - 3" (70mm), CFC-BL5 - 5" (130mm), CFC-BL8 - 8" (200mm), CFC-BL12 - 12" (300mm)

STANDARD (COLUMN)

CFC-C3 - 3" (70mm) CFC-C5 - 5" (130mm) CFC-C8 - 8" (200mm) CFC-C12 - 12" (300mm)

NOTE: For tool specifications refer to the nameplate on your tool.

Assembly

⚠ WARNING Disconnect the plug from the power source before making any assembly, adjustments or changing accessories. Such preventive safety measures reduce the risk of starting the tool accidentally.

BLADE INSTALLATION

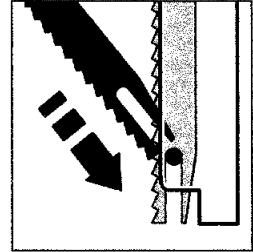
The CFC-M system will cut foam rubber, urethane foam and other synthetic foams. Its cutting capacity depends on the length of blades and guide used.

⚠ WARNING The foam cutter blades are sharp and susceptible to bending and must be handled carefully to avoid injury to user or bending of the blades.

⚠ WARNING In order to avoid accidents, always match the blade and blade guide length to the material to be cut. Never expose any excessive blade length above or below the material.

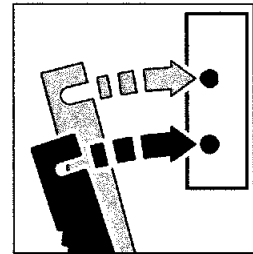
INSTALLING AND CHANGING THE BLADES:

Remove screws (A), knurled nuts, lockwashers and face plate from the tool. Install the blade guide with the slot towards the front of the tool, being sure to align the locating pins in the corresponding holes.



Install screws (A) and securely tighten.

Insert the lightly lubricated blades into the blades guide so that the vertical slots in the bottom of the blades drop over the pin in the bottom of the blade guide. Align the horizontal slots at the top of the blades with the drive pins in the bottom of the gear box and slide the blades in until recessed slightly.



Install face plate, lockwashers, and securely tighten knurled nuts.

FOOTPLATE INSTALLATION

The CFC-M may be used with or without the foot plate, which facilitates guiding the saw and enables sharp corners to be cut. The foot plate may be removed when cutting random shapes.

Installing the footplate: Press the foot plate into the blades guide. Tighten foot plate onto blade guide using locking screw (B) (Fig. 1).

Operating Instructions

ON/OFF PUSH SWITCH

The ON/OFF Push Switch turns the cutter on or off by enabling power to the motor.

TO SWITCH TOOL "ON": Push switch.

TO SWITCH TOOL "OFF": Push switch again.

Tool Tips

Following a few simple tips will reduce wear on the tool and it will reduce the chance of injury to the operator. However, these instructions are not intended to teach a novice how to operate this tool. If you are not familiar with the operation of this tool, it is best to obtain instruction from a skilled user, or take a class at a local junior or community college.

With the tool unplugged from the power supply and the on/off switch in the "OFF" position, please become familiar with handling the foam cutter and learning the location of the foam cutter's component parts that are listed on page 7 of this manual.

Before running the foam cutter, inspect the blades for excessive wear, and replace if necessary.

For clean and fast cuts, hold the tool so that the cutting head is at a right angle (90°) to the material being cut. Feeding the tool into the work with a minimum of pressure reduces output considerably as well as the cutting life of the blades.

When making cut-outs, remove the footplate and pierce a hole through the material for the blades with a knife or scissors.

If the foam cutter does not cut correctly, check for dull blades. Denser materials will dull the blades faster than less dense materials. Dulling will be apparent as more pressure is required to feed and cut into the material.

Blades can be easily re-sharpened by means of the blades sharpener with whetstone available as an optional accessory.

When cutting precise blanks, and especially when cutting soft foam and similar materials, feed the foam cutter slowly. Don't stretch or press materials excessively when cutting.

The blades and blade guide must be cleaned at regular intervals (approx. every 8-10 operating hours). It is advisable to clean them using benzine. Before installing new or sharpened blades, lightly oil the blade guide.

Maintenance

Service



WARNING Preventive maintenance performed by unauthorized personnel may result in misplacing of internal wires and components which could cause serious hazard. We recommend that all tool service be performed by an Authorized Service Center.

TOOL LUBRICATION

Your cutter tool has been properly lubricated and is ready to use. It is recommended that tools with gears be regreased with a special gear lubricant at every brush change.

CARBON BRUSHES

The brushes and commutator in your tool have been engineered for many hours of

dependable service. To maintain peak efficiency of the motor, we recommend every two to six months the brushes be examined. Only genuine Smoothcut/Consew or Bosch replacement brushes specially designed for your tool should be used.

BEARINGS

After about 300-400 hours of operation, or at every second brush change, the bearings should be replaced at an Authorized Service Center.

Bearings which become noisy (due to heavy load or very abrasive material cutting) should be replaced at once to avoid overheating or motor failure.

Contact the dealer who sold you your cutting tool or call Smoothcut/Consew 1-212-741-7788 to locate an authorized service center.

Cleaning

⚠ WARNING To avoid accidents always disconnect the tool from the power supply before cleaning or performing any maintenance. The tool may be cleaned most effectively with compressed dry air. **Always wear safety goggles when cleaning tools with compressed air.**

Ventilation openings and switch levers must be kept clean and free of foreign matter. Do

not attempt to clean by inserting pointed objects through openings.

⚠ CAUTION Certain cleaning agents and solvents damage plastic parts. Some of these are: gasoline, carbon tetrachloride, chlorinated cleaning solvents, ammonia and household detergents that contain ammonia.

Extension Cords

⚠ WARNING If an extension cord is necessary, a cord with adequate size conductors that is capable of carrying the current necessary for your tool must be used. This will prevent excessive voltage drop, loss of power or overheating. Grounded tools must use 3-wire extension cords that have 3-prong plugs and receptacles.

NOTE: The smaller the gauge number, the heavier the cord.

RECOMMENDED SIZES OF EXTENSION CORDS
120 VOLT ALTERNATING CURRENT TOOLS

Tool's Ampere Rating	Cord Size in A.W.G.				Wire Sizes in mm ²			
	Cord Length in Feet				Cord Length in Meters			
	25	50	100	150	15	30	60	120
3-6	18	16	16	14	0.75	0.75	1.5	2.5
6-8	18	16	14	12	0.75	1.0	2.5	4.0
8-10	18	16	14	12	0.75	1.0	2.5	4.0
10-12	16	16	14	12	1.0	2.5	4.0	—
12-16	14	12	—	—	—	—	—	—

Accessories

CFC-BL3 Blade set 3" (70mm)
 CFC-C3 Blade guide 3" (70mm)
 CFC-BL5 Blade set 5" (130mm)
 CFC-C5 Blade guide 5" (130mm)
 CFC-BL8 Blade set 8" (200mm)
 CFC-C8 Blade guide 8" (200mm)
 CFC-BL12 Blade set 12" (300mm)
 CFC-C12 Blade guide 12" (300mm)

CFC-B Machine Base (Footplate)
 — Blade sharpener w/whetstone
 — Metal case

(Standard equipment = motor only. Blades, guides and foot plate must be ordered separately.)

Advertencias generales de seguridad para herramientas mecánicas



ADVERTENCIA

Lea todas las advertencias de seguridad y todas las instrucciones. Si no se siguen las advertencias e instrucciones, el resultado podría ser sacudidas eléctricas, incendio y/o lesiones graves.

GUARDE TODAS LAS ADVERTENCIAS E INSTRUCCIONES PARA REFERENCIA FUTURA

La expresión "herramienta mecánica" en las advertencias se refiere a su herramienta mecánica alimentada por la red eléctrica (herramienta alámbrica) o su herramienta mecánica alimentada por baterías (herramienta inalámbrica).

Seguridad del área de trabajo

Mantenga el área de trabajo limpia y bien iluminada. Las áreas desordenadas u oscuras invitan a que se produzcan accidentes.

No utilice herramientas mecánicas en atmósferas explosivas, como por ejemplo en presencia de líquidos, gases o polvos inflamables. Las herramientas mecánicas generan chispas que pueden incendiar el polvo o los vapores.

Mantenga alejados a los niños y a las personas que estén presentes mientras esté utilizando una herramienta mecánica. Las distracciones pueden hacerle perder el control de la herramienta.

Seguridad eléctrica

Los enchufes de las herramientas mecánicas deben coincidir con el tomacorriente. No modifique nunca el enchufe de ningún modo. No use enchufes adaptadores con herramientas mecánicas conectadas a tierra (puestas a tierra). Los enchufes no modificados y los tomacorrientes coincidentes reducirán el riesgo de sacudidas eléctricas.

Evite el contacto del cuerpo con las superficies conectadas o puestas a tierra, tales como tuberías, radiadores, estufas y refrigeradores. Hay un aumento del riesgo de sacudidas eléctricas si el cuerpo del operador se conecta o pone a tierra.

No exponga las herramientas mecánicas a la lluvia o a condiciones mojadas. La entrada de agua en una herramienta mecánica aumentará el riesgo de que se produzcan sacudidas eléctricas.

No maltrate el cordón de energía. No use nunca el cordón para transportar la herramienta mecánica, tirar de ella o desenchufarla. Mantenga el cordón alejado del calor, el aceite, los bordes afilados o las piezas móviles. Los cordones dañados o enganchados aumentan el riesgo de que se produzcan sacudidas eléctricas.

Cuando utilice una herramienta mecánica en el exterior, use un cordón de extensión adecuado para uso a la intemperie. La utilización de un cordón adecuado para uso a la intemperie reduce el riesgo de que se produzcan sacudidas eléctricas.

Si es inevitable utilizar una herramienta mecánica en un lugar húmedo, utilice una fuente de energía

protegida por un interruptor de circuito accionado por corriente de pérdida a tierra (GFCI). El uso de un GFCI reduce el riesgo de sacudidas eléctricas.

Seguridad personal

Manténgase alerta, fíjese en lo que está haciendo y use el sentido común cuando esté utilizando una herramienta mecánica. No use una herramienta mecánica cuando esté cansado o bajo la influencia de drogas, alcohol o medicamentos. Un momento de distracción mientras esté utilizando herramientas mecánicas podría causar lesiones corporales graves.

Use equipo de protección personal. Use siempre protección de los ojos. El equipo de protección, como por ejemplo una máscara antipolvo, calzado de seguridad antideslizante, casco o protección de oídos, utilizado para las condiciones apropiadas, reducirá las lesiones corporales.

Evite el arranque accidental. Asegúrese de que el interruptor esté en la posición de apagado antes de conectar la herramienta a la fuente de energía y / o al paquete de batería, levantar la herramienta o transportarla. Transportar herramientas mecánicas con un dedo en el interruptor o encender herramientas mecánicas que tengan el interruptor en la posición de encendido invita a que se produzcan accidentes.

Quite todas las llaves de ajuste o de tuerca antes de encender la herramienta mecánica. Una llave de tuerca o de ajuste que se deje colocada en una pieza giratoria de la herramienta mecánica podría causar lesiones corporales.

No intente alcanzar demasiado lejos. Mantenga un apoyo de los pies y un equilibrio apropiados en todo momento. Esto permite controlar mejor la herramienta mecánica en situaciones inesperadas.

Vístase adecuadamente. No use ropa holgada ni alhajas holgadas. Mantenga el pelo, la ropa y los guantes alejados de las piezas móviles. La ropa holgada, las alhajas holgadas o el pelo largo pueden quedar atrapados en las piezas móviles.

Si se proporcionan dispositivos para la conexión de instalaciones de extracción y recolección de polvo, asegúrese de que dichas instalaciones estén conectadas y se usen correctamente. El uso de dispositivos de recolección de polvo puede reducir los peligros relacionados con el polvo.

Uso y cuidado de las herramientas mecánicas

No fuerce la herramienta mecánica. Use la herramienta mecánica correcta para la aplicación que desee realizar. La herramienta mecánica correcta hará el trabajo mejor y con más seguridad a la capacidad nominal para la que fue diseñada.

No use la herramienta mecánica si el interruptor no la enciende y apaga. Toda herramienta mecánica que no se pueda controlar con el interruptor es peligrosa y debe ser reparada.

Desconecte el enchufe de la fuente de energía y/o el paquete de batería de la herramienta mecánica antes de hacer cualquier ajuste, cambiar accesorios o almacenar herramientas mecánicas. Dichas medidas preventivas de seguridad reducen el riesgo de arrancar accidentalmente la herramienta mecánica.

Guarde las herramientas que no esté usando fuera del alcance de los niños y no deje que personas que no estén familiarizadas con la herramienta mecánica o con estas instrucciones utilicen la herramienta. Las herramientas mecánicas son peligrosas en manos de usuarios que no hayan recibido capacitación.

Mantenga las herramientas mecánicas. Compruebe si hay piezas móviles desalineadas o que se atoran,

si hay piezas rotas y si existe cualquier otra situación que podría afectar el funcionamiento de la herramienta mecánica. Si la herramienta mecánica está dañada, haga que la reparen antes de usarla. Muchos accidentes son causados por herramientas mecánicas mantenidas deficientemente.

Mantenga las herramientas de corte afiladas y limpias. Es menos probable que las herramientas de corte mantenidas apropiadamente, con bordes de corte afilados, se atoren, y dichas herramientas son más fáciles de controlar.

Utilice la herramienta mecánica, los accesorios, las brocas de la herramienta, etc., de acuerdo con estas instrucciones, teniendo en cuenta las condiciones de trabajo y el trabajo que se vaya a realizar. El uso de la herramienta mecánica para operaciones distintas a aquéllas para las que fue diseñada podría causar una situación peligrosa.

Servicio de ajustes y reparaciones

Haga que su herramienta mecánica reciba servicio de un técnico de reparaciones calificado, utilizando únicamente piezas de repuesto idénticas. Esto asegurará que se mantenga la seguridad de la herramienta mecánica.

Normas de seguridad para cortadoras de espuma

Agarre la herramienta eléctrica por las superficies de agarre con aislamiento cuando realice una operación en la que el accesorio de corte pueda entrar en contacto con cables ocultos o con su propio cable de alimentación. El accesorio de corte que entre en contacto con un cable que tenga corriente puede hacer que las partes metálicas de la herramienta eléctrica que estén al descubierto tengan corriente y podrían causar una descarga eléctrica al operador.

Desenchufe siempre la herramienta de la fuente de energía antes de cambiar accesorios o de hacer ajustes. Podría producirse un arranque accidental que podría causar lesiones personales graves.

Use abrazaderas u otro modo práctico de sujetar y soportar la pieza de trabajo en una plataforma estable. Si se sujeta la pieza de trabajo con la mano o contra el cuerpo, se crea una situación inestable que podría causar pérdida de control.

Use siempre protección para los ojos adecuada y guantes de cuero.

Antes de hacer funcionar una cortadora de espuma, inspeccione si las hojas derecha e izquierda están desgastadas. Cambie las hojas desgastadas inmediatamente.

Nunca arranque la cortadora de espuma con las hojas en contacto con la pieza de trabajo.

No retire la cortadora de espuma de la pieza de trabajo mientras las hojas se estén moviendo.

Nunca suelte la cortadora de espuma hasta que el motor y las hojas se hayan detenido por completo.

Nunca toque las hojas durante el uso.

Asegúrese de que el material que se está cortando esté fijado adecuadamente.

Advertencias de seguridad adicionales

Un GFCI y los dispositivos de protección personal, como guantes de goma y calzado de goma de electricista, mejorarán más su seguridad personal.

No use herramientas mecánicas con capacidad nominal solamente para CA con una fuente de energía de CC. Aunque pueda parecer que la herramienta funciona correctamente, es probable que los componentes eléctricos de la herramienta con capacidad nominal para CA fallen y creen un peligro para el operador.

Mantenga los mangos secos, limpios y libres de aceite y grasa. Las manos resbalosas no pueden controlar de modo seguro la herramienta mecánica.

Desarrolle un programa de mantenimiento periódico de la herramienta. Cuando limpie una herramienta, tenga cuidado de no desmontar ninguna de sus partes, ya que los cables internos podrían reubicarse incorrectamente o pellizcarse, o los resortes de retorno de los protectores de seguridad podrían montarse incorrectamente. Ciertos agentes de limpieza, tales como gasolina, tetracloruro de carbono, amoníaco, etc., podrían dañar las piezas de plástico.

Riesgo de lesiones para el usuario. El cordón de energía debe recibir servicio de ajustes y reparaciones solamente por un Centro de Servicio Autorizada.

⚠ ADVERTENCIA Cierta polvo generado por el lijado, aserrado, amolado y taladrado mecánicos, y por otras actividades de construcción, contiene agentes químicos que se sabe que causan cáncer, defectos de nacimiento u otros daños sobre la reproducción. Algunos ejemplos de estos agentes químicos son:

- Plomo de pinturas a base de plomo,
- Sílice cristalina de ladrillos y cemento y otros productos de mampostería, y
- Arsénico y cromo de madera tratada químicamente.

Su riesgo por causa de estas exposiciones varía, dependiendo de con cuánta frecuencia realice este tipo de trabajo. Para reducir su exposición a estos agentes químicos: trabaje en un área bien ventilada y trabaje con equipo de seguridad aprobado, como por ejemplo máscaras antipolvo que estén diseñadas especialmente para impedir mediante filtración el paso de partículas microscópicas.

Entre en contacto con el distribuidor que le vendió su herramienta o llamada de corte Smoothcut/Consew 1-212-741-7788 para localizar un centro de servicio autorizado.

Símbolos

IMPORTANTE: Es posible que algunos de los símbolos siguientes se usen en su herramienta. Por favor, estúdielos y aprenda su significado. La interpretación adecuada de estos símbolos le permitirá utilizar la herramienta mejor y con más seguridad.

Símbolo	Nombre	Designación/explicación
V	Volt	Tensión (potencial)
A	Ampere	Corriente
Hz	Hertz	Frecuencia (ciclos por segundo)
W	Watt	Potencia
kg	Kilogramo	Peso
min	Minuto	Tiempo
s	Segundo	Tiempo
∅	Diámetro	Tamaño de las brocas taladradoras, muelas, etc
n_0	Velocidad sin carga	Velocidad rotacional sin carga
n	Velocidad nominal	Máxima velocidad obtenible
.../min	Revoluciones o alternación por minuto	Revoluciones, golpes, velocidad de superficie, órbitas, etc., por minuto
0	Posición "off" (apagado)	Velocidad cero, par motor cero...
1, 2, 3, ... I, II, III,	Graduaciones del selector	Graduaciones de velocidad, par motor o posición. Un número más alto significa mayor velocidad
	Selector infinitamente variable con apagado	La velocidad aumenta desde la graduación de 0
	Flecha	Acción en la dirección de la flecha
	Corriente alterna	Tipo o una característica de corriente
	Corriente continua	Tipo o una característica de corriente
	Corriente alterna o continua	Tipo o una característica de corriente
	Construcción de clase II	Designa las herramientas de construcción con aislamiento doble.
	Terminal de toma de tierra	Terminal de conexión a tierra
	Símbolo de advertencia	Alerta al usuario sobre mensajes de advertencia
	Sello RBRC de Li-ion	Designa el programa de reciclaje de baterías de Li-ion
	Sello RBRC de Ni-Cd	Designa el programa de reciclaje de baterías de Ni-Cd
	Símbolo de lectura del manual	Alerta al usuario para que lea el manual
	Símbolo de uso de protección de los ojos	Alerta al usuario para que use protección de los ojos

Símbolos (continuación)

IMPORTANTE: Es posible que algunos de los símbolos siguientes se usen en su herramienta. Por favor, estúdielos y aprenda su significado. La interpretación adecuada de estos símbolos le permitirá utilizar la herramienta mejor y con más seguridad.



Este símbolo indica que esta herramienta está catalogada por Underwriters Laboratories.



Este símbolo indica que esta herramienta está reconocida por Underwriters Laboratories.



Este símbolo indica que Underwriters Laboratories ha catalogado esta herramienta indicando que cumple con las normas estadounidenses y canadienses.



Este símbolo indica que esta herramienta está catalogada por la Canadian Standards Association.



Este símbolo indica que la Canadian Standards Association ha catalogado esta herramienta indicando que cumple con las normas estadounidenses y canadienses.



Este símbolo indica que Intertek Testing Services ha catalogado esta herramienta indicando que cumple con las normas estadounidenses y canadienses.



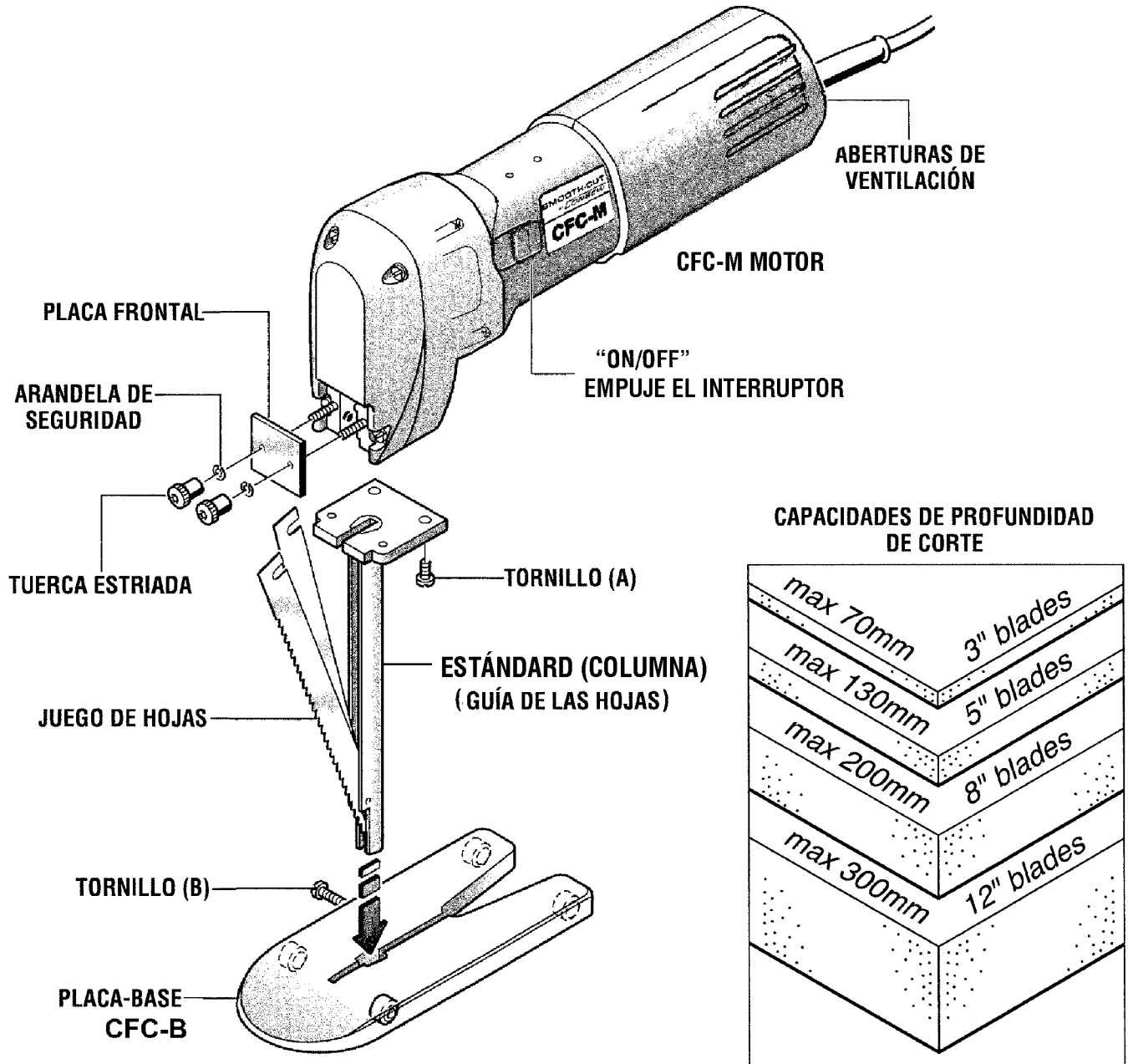
Este símbolo indica que esta herramienta cumple con la norma mexicana oficial (NOM).

Descripción funcional y especificaciones



ADVERTENCIA Desconecte el enchufe de la fuente de energía antes de realizar cualquier ensamblaje o ajuste, o cambiar accesorios. Estas medidas de seguridad preventivas reducen el riesgo de arrancar la herramienta accidentalmente.

Smoothcut *by* Consew CFC-1 Cortadora de espuma



Cuchilla Duales y Movibles. Solamente vendidas en sets de 2 cuchillas
CFC-BL3 - 3" (70mm), CFC-BL5 - 5" (130mm), CFC-BL8 - 8" (200mm), CFC-BL12 - 12" (300mm)

Estándar (columna):

CFC-C3 - 3" (70mm) CFC-C5 - 5" (130mm) CFC-C8 - 8" (200mm) CFC-C12 - 12" (300mm)

NOTA: Para obtener las especificaciones de la herramienta, consulte la placa del fabricante colocada en la herramienta.

Ensamblaje

CAMBIO DE PUNZONES Y TROQUELES

⚠ ADVERTENCIA Desconecte el enchufe de la fuente de energía antes de realizar cualquier ensamblaje o ajuste, o cambiar accesorios. Estas medidas de seguridad preventivas reducen el riesgo de arrancar la herramienta accidentalmente.

INSTALACIÓN DE LAS HOJAS

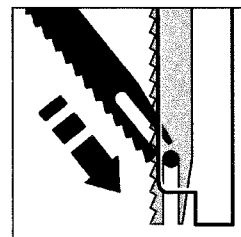
La CFC-M cortará caucho alveolar, espuma de uretano y otras espumas sintéticas. Su capacidad de corte depende de la longitud de las hojas y de la guía que se use.

¡PRECAUCION! Las hojas de la cortadora de espuma están afiladas y son susceptibles a doblarse, y se deben manejar cuidadosamente para evitar lesiones al usuario o que las hojas se doblen.

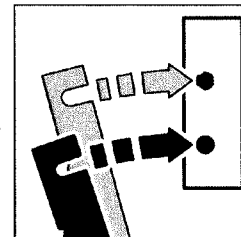
¡PRECAUCION! Para evitar accidentes, haga coincidir siempre la longitud de las hojas y de la guía de las hojas con el material que se va a cortar. Nunca deje al descubierto una longitud excesiva de las hojas por encima o por debajo del material.

INSTALACIÓN Y CAMBIO DE LAS HOJAS:

Quite los tornillos (A), las tuercas estriadas, las arandelas de seguridad y la placa frontal de la herramienta. Instale la guía de las hojas con la ranura hacia la parte delantera de la herramienta, asegurándose de alinear los pasadores posicionadores en los agujeros correspondientes. Instale los tornillos (A) y apriételes firmemente.



Introduzca las hojas ligeramente lubricadas en la guía de las hojas de modo que las ranuras verticales que se encuentran en la parte inferior de las hojas caigan sobre el pasador que está en la parte inferior de la guía de las hojas.



Alinee las ranuras horizontales que se encuentran en la parte superior de las hojas con los pasadores impulsores que están en la parte inferior de la caja de engranajes y deslice las hojas hasta que estén ligeramente embutidas. Instale la placa frontal y las arandelas de seguridad y apriete firmemente las tuercas estriadas.

INSTALACIÓN DE LA PLACA-BASE

La CFC-M se puede usar con o sin la placa-base, lo cual facilita guiar la sierra y permite cortar esquinas pronunciadas. La placa-base se puede quitar al cortar formas al azar.

Instalación de la placa-base: Presione la placa-base para acoplarla a la guía de las hojas. Apriete la placa-base sobre la guía de las hojas usando el tornillo de fijación.

Instrucciones de funcionamiento

INTERRUPTOR DE "ON/OFF" (DE ENCENDIDO Y APAGADO) DEL EMPUJE

Para girar la máquina: Empuje el interruptor

Para dar vuelta a la máquina apagado:
Empuje el interruptor otra vez

“Consejos para la herramienta”

Al seguir unos cuantos consejos sencillos se reducirá el desgaste de la herramienta y se reducirán las posibilidades de que el operador sufra lesiones. Sin embargo, la intención de estas instrucciones no es enseñar al principiante como utilizar esta herramienta. Si usted no está familiarizado con el manejo de esta herramienta, es mejor que un usuario experimentado le enseñe a manejarla o que tome una clase en un colegio universitario o comunitario local.

Para desligar a máquina sobre e:

Tecla a girar sobre.

Tecla outra vez a desligar.

Antes de hacer funcionar la cortadora de espuma, inspeccione las hojas para ver si están desgastadas excesivamente y cámbielas si es necesario.

Para lograr cortes limpios y rápidos, sujete la herramienta de modo que la cabeza de corte esté en ángulo recto (90°) respecto al material que se esté cortando. Si se hace avanzar la herramienta hacia la pieza de trabajo con un mínimo de presión, se reduce considerablemente el rendimiento, así como la duración de corte de las hojas.

Al realizar cortes de abertura, quite la placabase y haga un agujero para las hojas a través del material con un cuchillo o con unas tijeras.

Si la cortadora de espuma no corta correctamente, compruebe si las hojas están desafiladas. Los materiales más densos desafilarán las hojas más rápidamente que los materiales menos densos. Si se requiere más presión para hacer avanzar la herramienta y cortar el material, esto indicará que las hojas están desafiladas.

Las hojas se pueden volver a afilar fácilmente por medio del afilador de hojas con la piedra de afilar disponible como accesorio opcional.

Al cortar piezas en bruto de modo preciso, y especialmente al cortar espuma blanda y materiales similares, haga avanzar la cortadora de espuma lentamente. No estire ni presione los materiales excesivamente al cortar.

Las hojas y la guía de las hojas deben limpiarse a intervalos regulares (aproximadamente cada 8-10 horas de funcionamiento). Es aconsejable limpiarlas usando bencina. Antes de instalar hojas nuevas o afiladas, aceite ligeramente la guía de las hojas.

Mantenimiento

Servicio



ADVERTENCIA

El mantenimiento preventivo realizado por personal no autorizado puede dar lugar a la colocación incorrecta de cables y componentes internos que podría constituir un peligro serio. Recomendamos que todo el servicio de las herramientas sea realizado por un Centro de servicio de fábrica autorizada.

LUBRICACION DE LAS HERRAMIENTAS

Su herramienta ha sido lubricada adecuadamente y está lista para la utilización. Se recomienda que las herramientas con engranajes se vuelvan a engrasar con un lubricante especial para engranajes en cada cambio de escobillas.

ESCOBILLAS DE CARBÓN

Las escobillas y el conmutador de la herramienta han sido diseñados para muchas horas de servicio fiable. Para mantener un rendimiento óptimo del motor, recomendamos que cada dos a seis meses se examinen las escobillas. Sólo se deben usar escobillas de repuesto Bosch genuinas diseñadas específicamente para su herramienta.

RODAMIENTOS

Después de 300-400 horas de funcionamiento, o después de cada segundo cambio de escobillas, los rodamientos deben cambiarse en un Centro de servicio de fábrica autorizada.

Los rodamientos que se vuelven ruidosos (debido a la pesada carga o al corte de materiales muy abrasivos) deben ser sustituidos inmediatamente para evitar el sobrecalentamiento o el fallo del motor.

Contate o negociante que o vendeu sua ferramenta de corte.
o contate **Smoothcut/Consew 1-212-741-7788**
para encontrar um centro de serviço autorizado.

Limpieza

⚠ ADVERTENCIA Para evitar accidentes desconecte siempre la herramienta de la fuente de energía antes de la limpieza o de la realización de cualquier mantenimiento. La herramienta se puede limpiar más eficazmente con aire comprimido seco. Use gafas de seguridad siempre que limpie herramientas con aire comprimido.

Las aberturas de ventilación y las palancas de interruptor deben mantenerse limpias y libres de materias extrañas. No intente limpiar introduciendo objetos puntiagudos a través de las aberturas.

⚠ PRECAUCION Ciertos agentes de limpieza y disolventes dañan las piezas de plástico. Algunos de estos son: gasolina, tetracloruro de carbono, disolventes de limpieza clorados, amoníaco y detergentes domésticos que contienen amoníaco.

Cordones de extensión

⚠ ADVERTENCIA Si es necesario un cordón de extensión, se debe usar un cordón con conductores de tamaño adecuado que sea capaz de transportar la corriente necesaria para la herramienta. Esto evitará caídas de tensión excesivas, pérdida de potencia o recalentamiento. Las herramientas conectadas a tierra deben usar cordones de extensión de 3 hilos que tengan enchufes de 3 terminales y receptáculos para 3 terminales.

NOTA: Cuanto más pequeño es el número de calibre, más grueso es el cordón.

TAMAÑOS RECOMENDADOS DE CORDONES DE EXTENSION
HERRAMIENTAS DE 120 V CORRIENTE ALTERNA

Capacidad nominal en amperes de la herramienta	Tamaño del cordón en A.W.G.				Tamaños del cable en mm ²			
	Longitud del cordón en pies				Longitud del cordón en metros			
	25	50	100	150	15	30	60	120
3-6	18	16	16	14	0,75	0,75	1,5	2,5
6-8	18	16	14	12	0,75	1,0	2,5	4,0
8-10	18	16	14	12	0,75	1,0	2,5	4,0
10-12	16	16	14	12	1,0	2,5	4,0	—
12-16	14	12	—	—	—	—	—	—

Accesorios

CFC-BL3 Juego de hojas 3" (70mm)
CFC-C3 Guía de las hojas 3" (70mm)
CFC-BL5 Juego de hojas 5" (130mm)
CFC-C5 Guía de las hojas 5" (130mm)
CFC-BL8 Juego de hojas 8" (200mm)
CFC-C8 Guía de las hojas 8" (200mm)
CFC-BL12 Juego de hojas 12" (300mm)
CFC-C12 Guía de las hojas 12" (300mm)

CFC-B Placa-base
— Afilador de hojas con piedra de afilar.
— Caja metálica

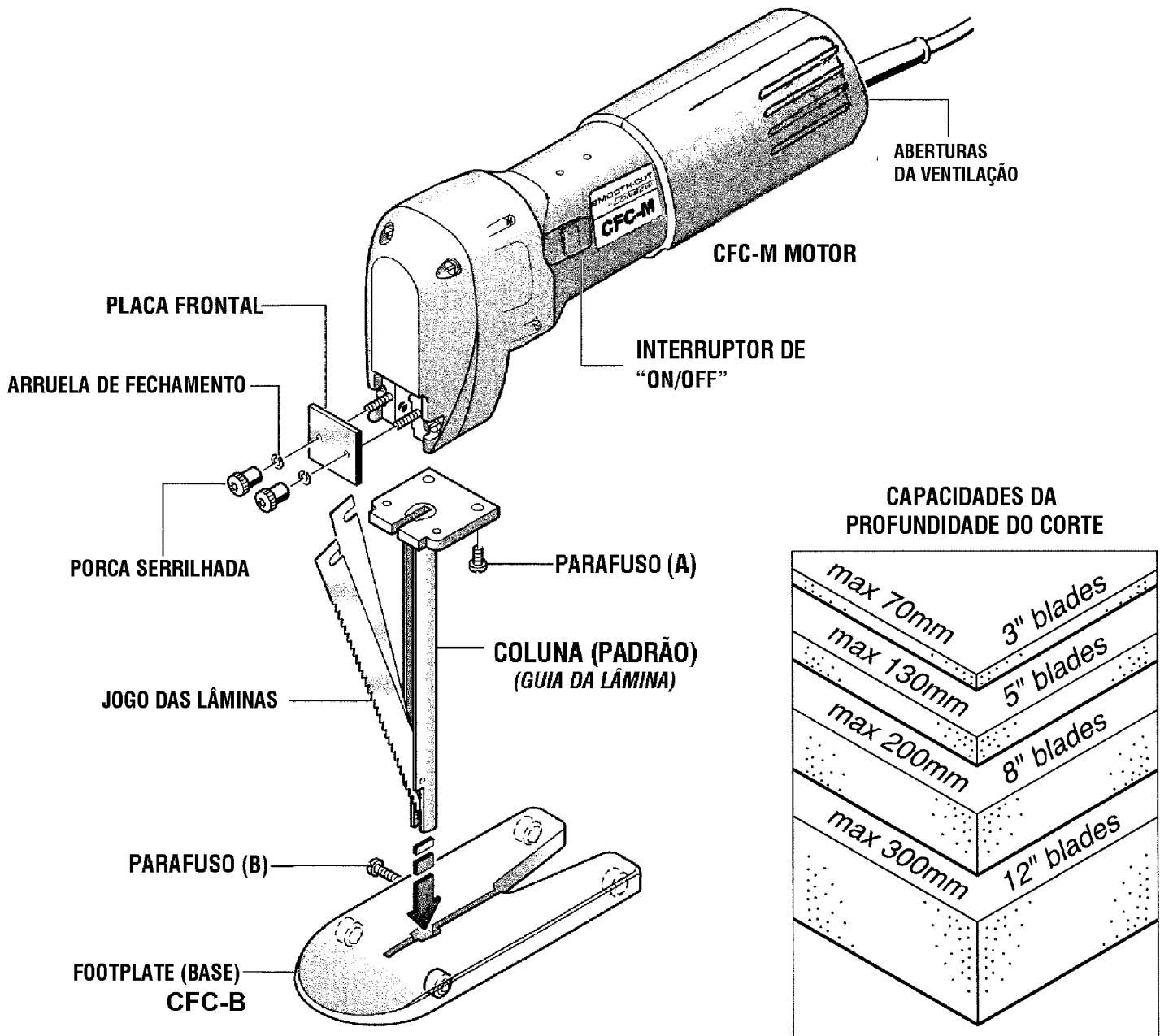
(Equipo estándar = motor solamente. Las hojas, las guías y la placa-base se deben pedir separadamente.)

DESCRIÇÃO FUNCIONAL E ESPECIFICAÇÕES

⚠️ ADVERTENCIA

Desconecte o cabo de poder da fonte de poder antes de fazer algum ajuste, de fazer qualquer conjunto ou de mudar acessórios. Esta precaução de segurança impedirá os ferimentos faz à ferramenta que começa inesperada.

Smoothcut by *Consew* CFC-1 Cortador de espuma



LÂMINAS MÓVEIS DUPLAS. Vendido nos jogos somente (2 lâminas):

CFC-BL3 - 3" (70mm), CFC-BL5 - 5" (130mm), CFC-BL8 - 8" (200mm), CFC-BL12 - 12" (300mm)

COLUNA (PADRÃO):

CFC-C3 - 3" (70mm) CFC-C5 - 5" (130mm) CFC-C8 - 8" (200mm) CFC-C12 - 12" (300mm)

NOTA: Para a ferramenta as especificações consultam à placa de identificação em sua ferramenta.